



**Solar Integrated Off-Grid Inverter**

# User Manual

**GF100–GF2000**

**Solar Integrated Pure Sine Wave Off-Grid Inverter**

Phenomenon	Confirmation and Solution
Main power is normal, main power indicator is off	1, whether Cable is loose. 2, whether fuse is burnt.
In AC priority mode, system doesn't transfer to mains mode, even mains power is ready, and switch is on, but ac LED off, and buzzer beeps	Over current protection is ejected, reset over current protection
In PV priority mode, PV is normal, but AC supply power	PV solar power is not strong enough. The system is charging, it is normal situation.

**9 Packing List:**

- 1, Inverter: 1 unit;
- 2, User Manual: 1 pcs
- 3, Special connection cable: 2 pcs;
- 4, Others are according to customer needs

temperature rising. Even battery is not in use, its performance can be gradually degraded. That is why we advise to discharge it every 3 months if there is no power-off for long time.

There are maintenance steps as follows (the performance will get degraded very fast, please keep the following operations of battery maintenance in mind).

- 1). When the battery stay at idle status for 3 months or more than 3 months, switch on the battery and PV confluence box, charge battery up to 12 hours, to keep the battery stay at full potential, to make battery life longer.
- 2). Make records of the load status and the total power, then shut off the PV convergence box switch, start the system, getting into the battery discharge mode until auto-off. Make records of the discharge time. Also keep the initial discharge time records for future reference.
  - ◆ The total power of load (power consumption) is calculated in unit of “Watt”
  - ◆ If the inverter marking just shows power capacity in “VA” then need to multiply power factor (if no marking, it is 0.8) to calculate in unit of “Watt”
  - ◆ If there is just Ampere value marked, then multiply rated voltage and power factor to calculate in “Watt” .
- 3). Under normal using condition, the life time of battery is near 1-3 years. If battery temperature and discharging frequency is high, the life time will be near 0.5-1 year.
- 4). Along with the running time, the performance of battery is generally degraded (regarding discharging time). If the discharging time reduces to be 80% of its initial time, performance is degrading fast. So, battery maintenance should be done monthly.
- 5). Dust treatment:
  - ◆ Clear the dust on battery
  - ◆ Check the connection cables between batteries to see whether they are loose or not, if necessary, replace the cable even the battery
  - ◆ Keep the battery and cable connection tight

Note: The discharging test above is just a simple test to check the battery charging status and performance. If needing know more exact information about battery charging status, should contact with battery supplier locally.

### 8.3 Trouble shootings

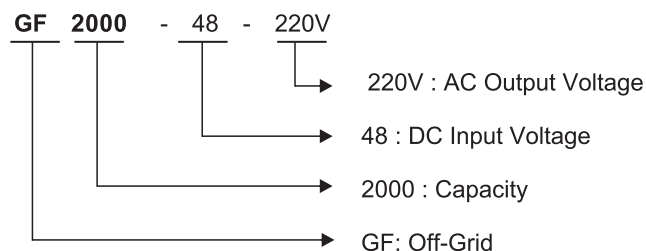
The inverter can offer reliability to the load. If abnormal accident occurs, suggest you go to local service center, so as to prevent more damage and unnecessary fee. When the inverter is in abnormal status, you can refer the following trouble shootings. If can solve problem, please get in touch with local distributor, or contract direct with our company

## CONTENTS

CONTENTS	PAGE	CONTENTS	PAGE
1. Contents	1	5. Specifications	9
2. Safety and Summary	2	6. Product components	11
2.1 Product denomination	2	6.1 LCD front panel	11
2.2 Safety notice	2	6.2 Rear panel	13
3. Working principle	3	7. Installation and usage	14
3.1 System circuit diagram	3	7.1 Product installation	14
3.2 AC priority mode	3	7.2 ON/OFF	17
3.3 PV priority mode	5	7.3 ON and OFF operation	17
3.4 Bypass power	6	after long time storage	
4. Products features	6	of inverter	
4.1 Multi-setting	6	8. Maintenance	17
4.2 High reliability	6	8.1 Preventative	17
4.3 Isolated and Pure Sine	7	maintenance	
Wave technology		8.2 Battery Maintenance	17
4.4 Advanced MPPT control	7	8.3 Trouble shootings	18
system		9. Packing List:	19
4.5 Intelligent charge	7		
management			
4.6 LCD+LED display mode	7		
4.7 Wide input range	7		
4.8 High-speed synchronous	7		
conversion			
4.9 Friendly alarm system	7		
4.10 Unattended and intelligent	8		
monitoring			
4.11 Online protection function	8		
4.12 No-load off function			
(option)			
4.13 Self-adaptive frequency	8		
4.14 Intelligent communication	9		
port (option)			

## 2. Safety and Summary

### 2.1 Product Denomination:



### 2.2 Safety notice: (Please obey the items below to ensure the security)

- Keep above 50cm away from the display while installing the product
- It is normal that the case surface temperature go up to 50°C during using
- Do not use Inverter with overload
- Do not open Inverter cover in case danger of electric shock, maintenance and battery replacement should be handled by technicians:
- Inverter inner short circuit will cause electric shock or fire danger. Do not put any liquid vessel on Inverter.
- Cut off power rapidly if equipment work abnormal, and contact with local dealers or EAST service office.
- Make sure not to keep or use the product in following environment
  - ◆ No good air circulation
  - ◆ Place having flammable gas corrosive material or lots of dust
  - ◆ Place under abnormal high or low temperature (above 40°C or below 0°C), and high humidity (above 90%)
  - ◆ Place having direct sunlight or close to heater equipment.
  - ◆ Place having severe vibration
  - ◆ Outdoor
- Use powder extinguisher if there is fire around Inverter. Not to use liquid extinguisher in case danger of electric shock.
- Place sockets nearby Inverter, so as to pull out sockets and cut off the power in an emergency situation.
- The product can provide 100% power output within range of rated voltage  $\pm 25\%$  ; if out of the range, the output power meets as followings:

### 7.2 ON/OFF

- 1) According to users' configuration and requirement, make sure the working mode (AC Priority or PV Priority).
- 2) When there is Mains power: Turn on the AC input switch on rear panel of inverter, inverter will start self-testing and output through bypass and will be in normal condition in 15 seconds, the user can start PC and other load at this moment.
- 3) When PV/Battery supply power (no Mains): Turn on the switch of battery group and PV confluence box, press "ON" button on the front panel in 3 second. The system will supply power normally.
  - 1) Daily start: Press the start button ( "ON" ) for 3 seconds, inverter will output normally in 15 seconds.
  - 2) Daily shut-down: Press the shut-down button ( "OFF" ) for 3 seconds, inverter will turn to bypass mode if the Mains power is on. And bypass LED will be on at the moment. Otherwise the inverter will shut down.

### 7.3 ON and OFF operation after long time storage of inverter

- 1) When unused the inverter for 7 days, please push the shut-down bottom to turn off the inverter firstly, then turn off input switch/PV connection box switch/battery switch on the rear panel again.
- 2) If unused above 3 months, please turn on battery and PV connection switch, let the system charge above 12 hours to keep the battery in a full power situation, to extend the life span of the battery.

**Warning: In order to ensure equipment and human safety, it must be installed by qualified technicians.**

## 8 Maintenance

### 8.1 Preventative Maintenance

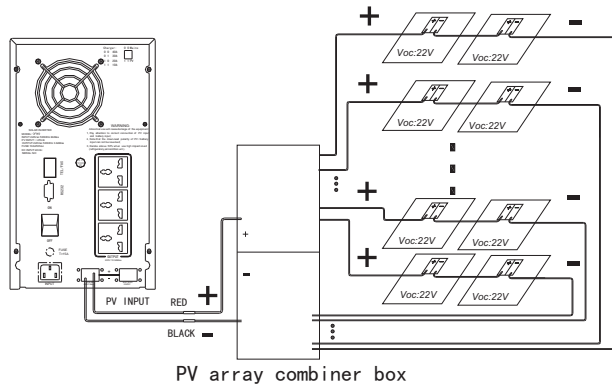
Preventative maintenance to the inverter can guarantee the reliability and long-time service; do some test per month as follows:

1. Shut-down the inverter (Refer the operation steps for details);
2. Check the vents not be blocked;
3. Check whether there is much dust covering the surface;
4. Check the connection of input, output as well as batteries to see whether it is firm and the insulating barrier of cable;
6. Make sure the product not damp;
7. Start inverter (ON/Off) ;

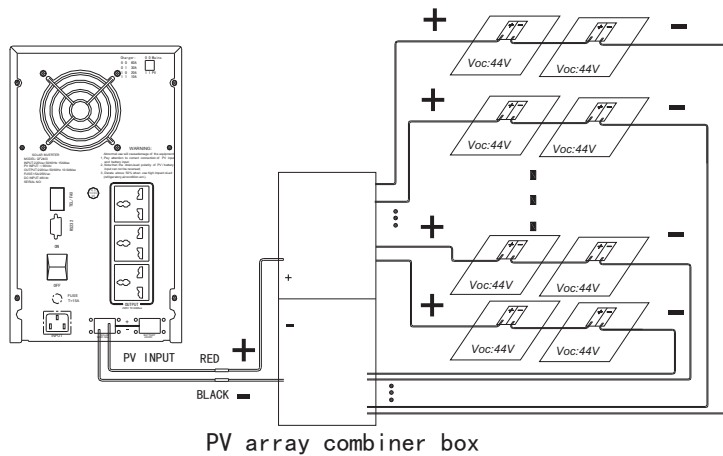
### 8.2 Battery Maintenance

Valve Regulated Lead Acid battery is used in this system. The life time of battery will be reduced by bad operating environment, frequently discharging, and sharply

### ● 24V products PV input connection:

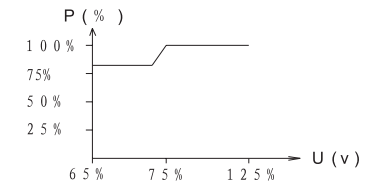


### ● 48V products PV input connection:



5) Connect the input plug of the inverter to main power socket. (make sure L, N be right and the ground line is ok)

6) Make sure the battery voltage/PV input voltage/AC voltage/plate all accord with the product usage requirement.



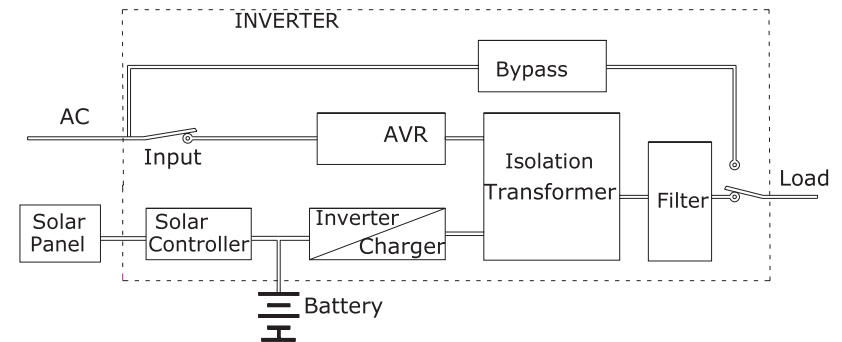
Input voltage and output power curve

Warning! Equipment must be connected to the ground

1. The equipment must be connected to the ground. Make sure connect Inverter to the ground well while connecting AC to supply power
2. The power sockets must be 15A/250V or above this specification if the capacity of Inverter is above 2KVA
3. Incorrect operation may cause heavy loss. Please make sure to use the Inverter correctly according to this manual.

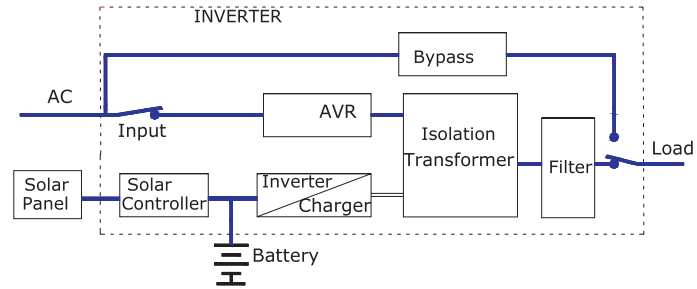
### 3. Working principle

#### 3.1 System circuit diagram

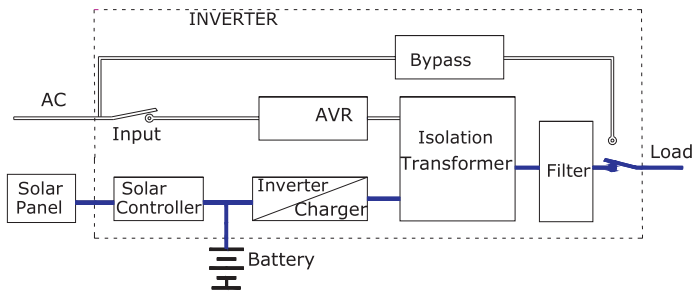


#### 3.2 AC priority mode:

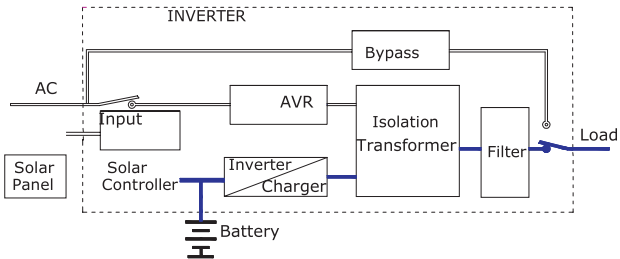
- 1) When AC power supply is normal: AC input will provide power to equipments through regulator after removing the high frequency harmonic with filter. At this time, PV gives power to batteries only through MPPT control system;



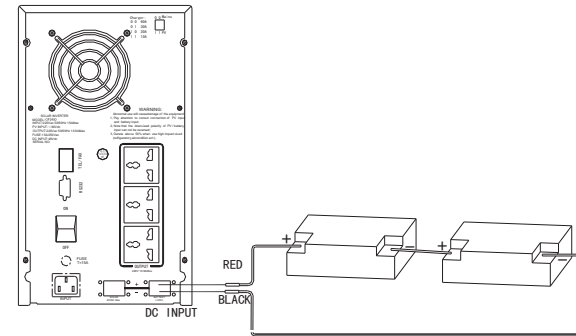
- 2) When Mains overrun or cut off: The system will convert the energy of battery and PV systems to the power needed by equipments promptly, and give power supply to the user equipment to ensure power supply continuity.



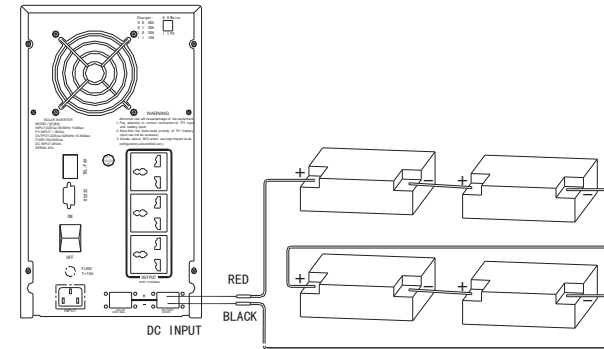
- 3) When Mains overrun or cut off and without PV (no sun power): The system will convert the energy of battery to the power needed by equipments promptly, and give power supply to the user equipment to ensure power supply continuity.



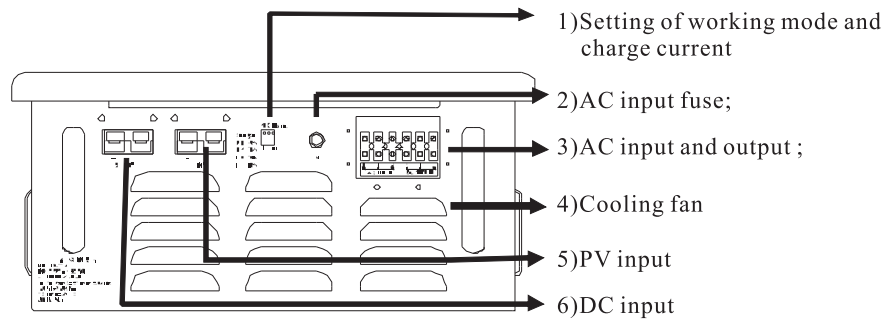
- 24V products battery connection:



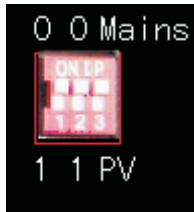
- 48V products battery connection:



- 4) Connect connection box of solar panel with the allocated wires (when the wires short, add extension wires), then put the plug into DC input of the inverter (please note red for plus plate, black for negative plate, make sure not to reverse connection).



## 2. Setting mode & charge current



SW-1	SW-2	SW-3	Function
**	**	Mains	AC Priority mode
**	**	PV	PV Priority mode
0	0	**	PV Max. charge current 40A/60A
0	1	**	PV Max. charge current 30A
1	0	**	PV Max. charge current 20A
1	1	**	PV Max. charge current 10A

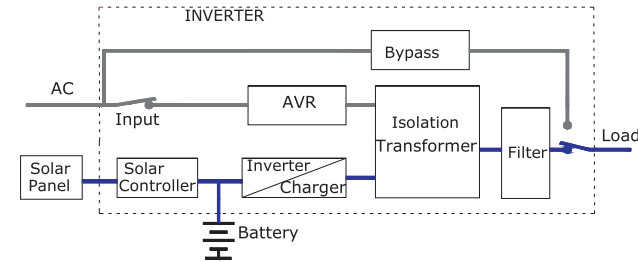
## 7 Installation and usage

### 7.1 Product installation

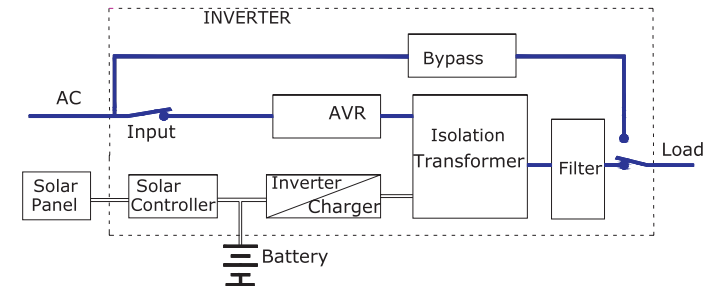
- 1) Put the inverter to the suitable position with good ventilation, at least 150mm ambient space around the vent and fan.
- 2) Close the equipments (for example: computer master), pull power wire into the inverter input socket.
- 3) As per the requirement of the system, install the plus plate and negative plate of the battery as well the air switch first (the current of the battery connected wires and the switch should be 1.3-2 times of rated current); secondly, connect the battery with series connection wires (make sure to right connect the plus plate and negative plate); finally, connect the wires which were allocated with the inverter, then put the plug into DC input of the inverter (please note red for plus plate, black for negative plate, make sure not to reverse connection).

### 3.3 PV priority mode:

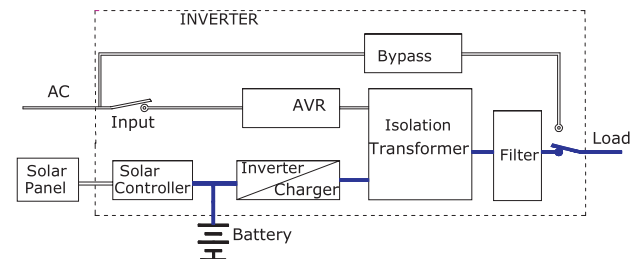
- 1) During the day, with ample sunlight, and Mains is normal: solar panel will adjust to the largest state through solar power controller and give power to load through the inverter (Mains as a standby), and charge the battery at the same time (see below diagram);



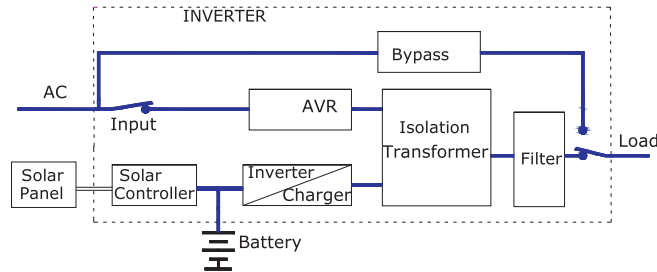
- 2) During the evening (or rainy days, with no sun), and Mains is normal: the system will provide power through battery first, discharge until to the set value (reserved a certain power in case of emergency situation), and then automatically switch to the Mains and provide power to loads through the regulator (see below diagram);



- 3) The evening (or rainy days, with no sun), electricity under abnormal AC input: the system will use battery power to provide power to loads through inverter system.

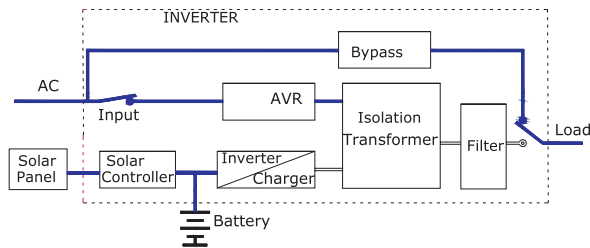


- 4) The evening (or rainy days, with no sun), battery has been discharged to empty and Mains recover: System will switch to Mains and give power supply to loads through system regulator. At the same time, charger will start working and charge the battery (see below diagram);



### 3.4 Bypass Power: four conditions under bypass

- OVER LOAD;
- Inverter FAILURE;
- ON: press the ON button by 3seconds. inverter starts within 15seconds;
- OFF: press the OFF button by 3seconds., inverter shuts down.



## 4. Products features

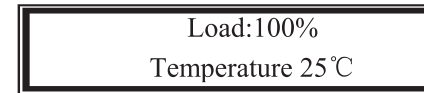
### 4.1 Multi-setting

- Can adjust the use mode according to the configuration status and sun source status: PV priority or AC priority mode;
- Can select the charging current based on the configured capacity of the battery.

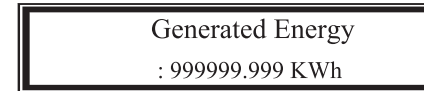
### 4.2 High reliability

- Independent MPPT (Maximum Power Point Tracking) control

Load percentage & Inverter temperature display:



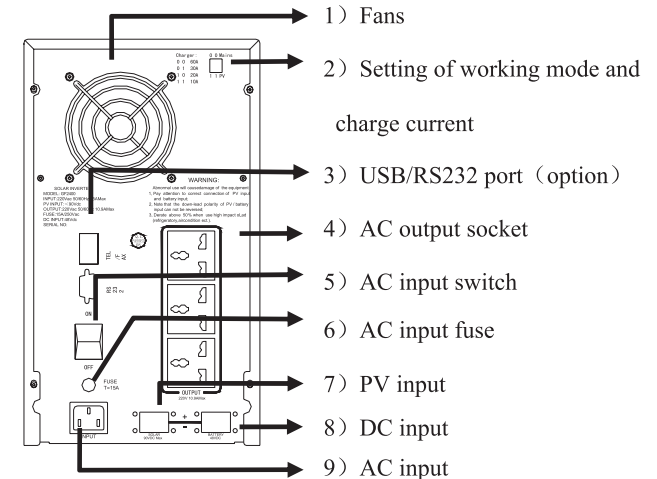
Power status display:



- 2) AC indicator (orange): Indicator on when there is input main power.
- 3) Working status indicator (Green/Red): Red indicator on when there is AC input, green indicator on when PV/battery supply the power.
- 4) Bypass indicator(orange): Indicator is on when the inverter is working with AC input.
- 5) Battery status indicator (Green/Red): Green indicator on when battery works normal, red indicator on when battery low voltage.
- 6) "ON" button, press 3sec to turn on inverter, and it will start to supply power after 15sec.
- 7) "OFF" button, press 3sec to turn off inverter (inverter will turn to bypass if had AC input, and bypass indicator on).
- 8) LCD scroll button, press it to scroll LCD display contents.
- 9) Overload indicator (red): When system overload, Indicator will on and come with buzzer alarm.
- 10) PV input indicator (green/red): Green indicator on when PV connect correct and voltage input normal; Red indicator on when PV connect reverse and it has input voltage

### 6.2 Rear panel:

#### 1. Rear panel picture:





**2. Statements:**

## 1) LCD screen:

Name and specification of the product:

Solar Inverter GF2000-48-220V
----------------------------------

PV input status &amp; battery status:

PV Overvoltage BAT OK
--------------------------

PV Ok BAT Under-voltage
----------------------------

PV Undervoltage BAT Overdischarge
--------------------------------------

PV Reverse!!! BAT Fault!!!
-------------------------------

AC input status and system working mode:

AC OK Priority: PV Work
----------------------------

AC Fault !!! Priority: AC Work
-----------------------------------

Output status and system working mode:

AC Bypass Output Priority: AC Work
---------------------------------------

Input voltage display:

AC Input:220V PV Input:80.8V
---------------------------------

Output voltage &amp; Frequency display:

AC Output:221V Frequency:49.9Hz
------------------------------------

Inv Output:219V Frequency:49.9Hz
-------------------------------------

Charge status display:

PV Charge: 38.6A AC Charge: OFF
------------------------------------

PV Charge: 0.0V AC Charge: ON
----------------------------------

Battery status display:

Bat Voltage:54.8V BatCapacity:100%
---------------------------------------

microprocessor system

- Independent inverter microprocessor control system
- Many kinds of protection for overcharge, over-discharge, short-circuit, overload ect., and special PV reverse connection protection as well;

**4.3 Isolated and pure sine wave technology:**

- Adopts advanced SPWM adjustment technology, high speed power MOS, using isolated transformer boosting technology, to get pure sine wave voltage with stable voltage and frequency through LC filter to the load use.

**4.4 Advanced MPPT control system:**

- MPPT technology is an control method of Maximum Power Point Tracking, which is able to intelligently adjust the solar battery working point, making it always work on the maximum power point of I-V feature curve, to make sure the solar battery always stays at maximum power value output status under different environment. Compared with general solar charge controller, this unit can increase the power conversion efficiency of the solar panel (generated power) up to 20-30%.

**4.5 Intelligent charge management:**

- When there is over-discharge, the system will make an equalized charging compensation maintenance to the battery. When it is normally used, the system adopts combined charging manner of constant charging (constant current/constant voltage) and float charging to extend the battery service life.

**4.6 LCD+LED display mode:**

- Visible straight LED flow and states display;
- LCD directly display the product operating parameter and states;

**4.7 Wide input range:**

- MPPT control system adopts PWM adjustment technology which can bear the highest open circuit voltage of the PV battery;
- The product AC input equipped with high effective online synchronous voltage regulation technology, input from 165-275Vac operating with safety, greatly decrease the battery use frequency and extend the battery service life.

**4.8 High-speed synchronous conversion**

- The system equipped with auto-follow Mains phase function make sure the inverter output voltage has same phase of the Mains voltage, it greatly decrease the transfer time and the surge voltage occurred during transfer.

**4.9 Friendly alarm system****1) PV Priority:**

- When the solar battery is low, Alarming is called once per 5 seconds, auto-mute after 40seconds, no longer interfere with the work environment

- When the battery is running out, the invert will start rapid alarming again, the frequency is once per 0.2 seconds one time, to remind staff, run out of battery, the inverter will shut down
  - When the battery is running out, the inverter will be off automatically to protect battery
- 2) **AC Priority:**
- When the solar battery provides power at the beginning, Alarming is called once per 5 seconds, auto-mute after 40seconds , no longer interfere with the work environment
  - When the battery is running out, the invert will start rapid alarming again, the frequency is once per 0.2 seconds one time, to remind staff, run out of battery, the inverter will shut down
  - When the battery is running out, the inverter will be off automatically to protect battery

#### 4.10 Unattended and intelligent monitoring:

This products has Automatic shutdown function to meet the monitoring sites, and no off-site monitoring regions, this product can also be through the RS232 serial port or USB port and PC communications, real-time monitoring, testing, and time on/off, , but also through SNMP network to achieve remote monitoring, testing for time on/off operation.

#### 4.11 Online protection function:

- Normal inverter overload: alarming exceeds 110% load, load will reduce under the rated range within 60 seconds, the system normally provide power supply; timeout, the system will automatically shut down. When AC restore (or manual start), the system will recovery power supply.
- Abnormal inverter overload: alarming exceeds 125% load, it automatically shut down within 5 seconds. When AC restores, the system will recovery power supply
- Overload in Mains power: The inverter will give alarm when over 110% load, it switches to bypass within 60 seconds. When reducing load, it automatically restore normal
- Short circuit protection: If the inverter output instantaneous state of shock, short circuit, output current limiting device, if more than 10ms, the system will automatically shut down.

#### 4.12 No-load off function (Option)

The battery (or under the solar supply power state), the system will automatically detect the load, if the load is less than 5%, the inverter will determine the "no-load" to reduce the loss in no-load state for 1 minute, the system will automatically turn off.

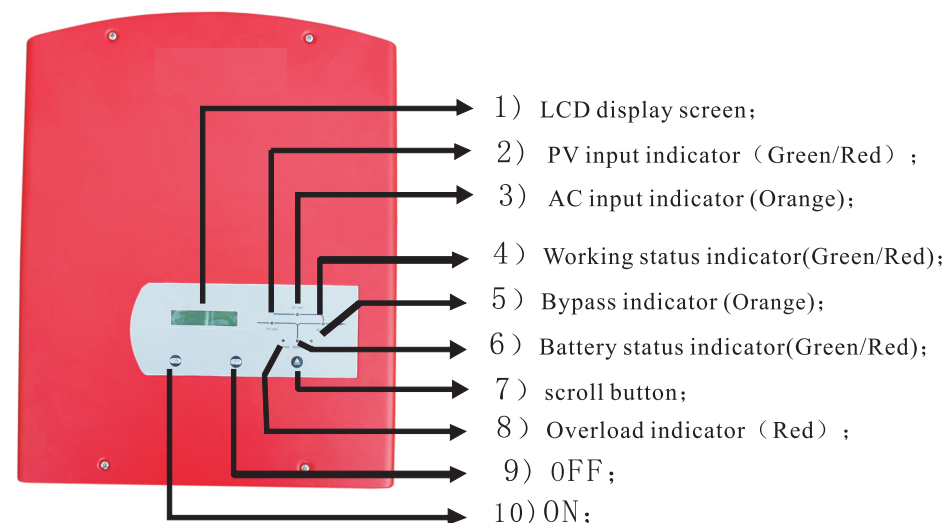
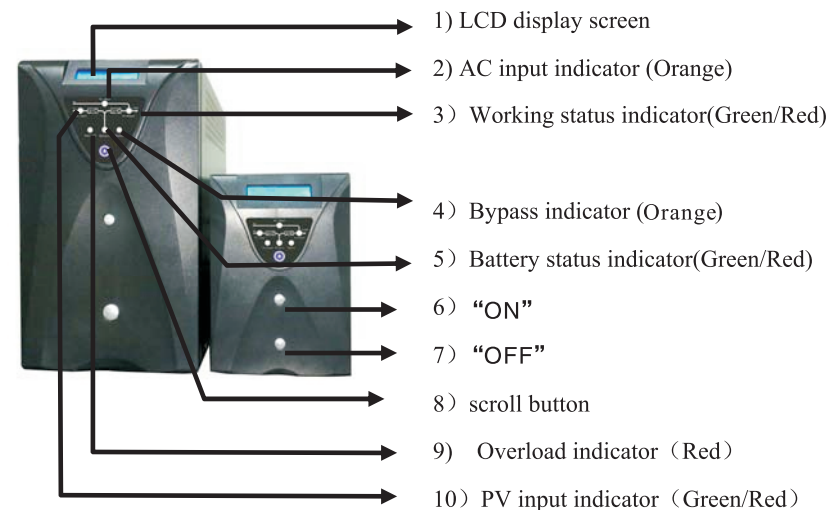
#### 4.13 Self-adaptive frequency:

When the inverter connected to utility power, the frequency is 50Hz or 60Hz,

## 6. Product components

### 6.1 LCD front panel

#### 1. Picture of Front panel:



Inverter Output		220Vac± 5%					
	Output frequency	50 Hz / 60Hz ± 1% Auto.					
	Output PF	≥0.8					
	Distortion	Line load≤ 5%					
	PV-AC transfer time	5Ms typical value Max.8 Ms					
	Max efficiency	84.5%					
	Inverter overload	110% load 60s shut down, 120% load 5s shut down.					
	No load off (Optional)	Load< 5% after 1min , transfer to bypass mode					
Alarm	Short circuit	System Shut down automatically					
	AC abnormal	Beeping 1time/4S , 40Ssilence auto.					
	Battery low	Beeping 1time/ 0.2S					
	Over load	1time/ 1S					
Communication port (optional)		RS232 / USB / SNMP (Setup available for regular start/shutoff)					
Others	Output sockets	Universal sockets 3PCS / customized					
	Surge protection	Optional					
	EMC	EN62040-2:2006;EA61000-3-2:2006; EA61000-3-3:2008					
	IP class	IP20					
	Ambient temperature	0℃ ~ 40℃					
	Ambient humidity	10% ~ 90%(Non Condensed)					
	Noise	≤ 50dB					
	Inverter Size D*W*H (MM)	Tower	420×145×215		475×200×337		
		Wall-mounted	314×147×456		380×195×478		
	Packing size D*W*H (MM)	Tower	510×325×245		590×320×465		
		Wall-mounted	380×190×500		455×255×522		
Net weight (kg)	9	12	17.2	22.1	25.3		
Gross weight (kg)	10	13	18.8	23.7	27.0		

Remark: the solar panel power configuration is related with the inverter working mode and charging current, we suggest match the PV power according to project needs.

the system will automatically detect the mains frequency, when AC power failed, output frequency will be the same with the mains frequency (50Hz or 60Hz).

#### 4.14 Intelligent communication port (option)

- The inverter can be equipped with RS232, USB or SNMP monitoring interface, with communication with the PC, monitor, support WINDOWS98/NT/2000 / ME/2003/XP/Vistar operating system, automatic storage file. Automatic shutdown, Turn on control.
- Automatic detection of mains interruption and battery low; all operational data (LCD inverter).
- Mains interruption, system has automatic saving function countdown, shutdown system and turn off the inverter.
- Setting of power supply time, records of inverter running state, mains etc. Display systems shut down countdown, auto detection, time on/off.

## 5. Specifications

	Model	GF100	GF500	GF1000	GF1500	GF2000
	Power	100W	500W	1000W	1500W	2000W
	Battery voltage	12Vdc	24Vdc	48Vdc		
	Working mode	PV(Photovoltaic priority) / AC (AC priority) Optional				
PV	Input voltage range	24Vdc-- 45Vdc		48 Vdc - - 90Vdc		
	PV panels configuration (Suggestion) (Imp≤rated current)	≤20A	≤40A	≤50A	≤60A	≤80A
	Max charge current	10-40A Optional				
	Max transfer efficiency	98 %				
Display	Display panel	LCD + LED				
Mains status (option)	Input voltage range	165Vac- 275Vac / 150Vac-275Vac (customized )				
	Input frequency range	45-65 Hz ( over this range transfer to inverter model auto.)				
	Output voltage range	220Vac± 10%				
	MAX Input PF (AC/DC)	98%				
	MAX efficiency	98%				
	MAX Charge current	12A Max( battery discharge ends; Start charging when PV charge current less than the set value)				
	AC over load	110% load, after 60s, transfer to bypass, 120% load ,after 30s transfer to bypass, auto recover after decrease load				
	Short circuit	Input fuse / breaker				